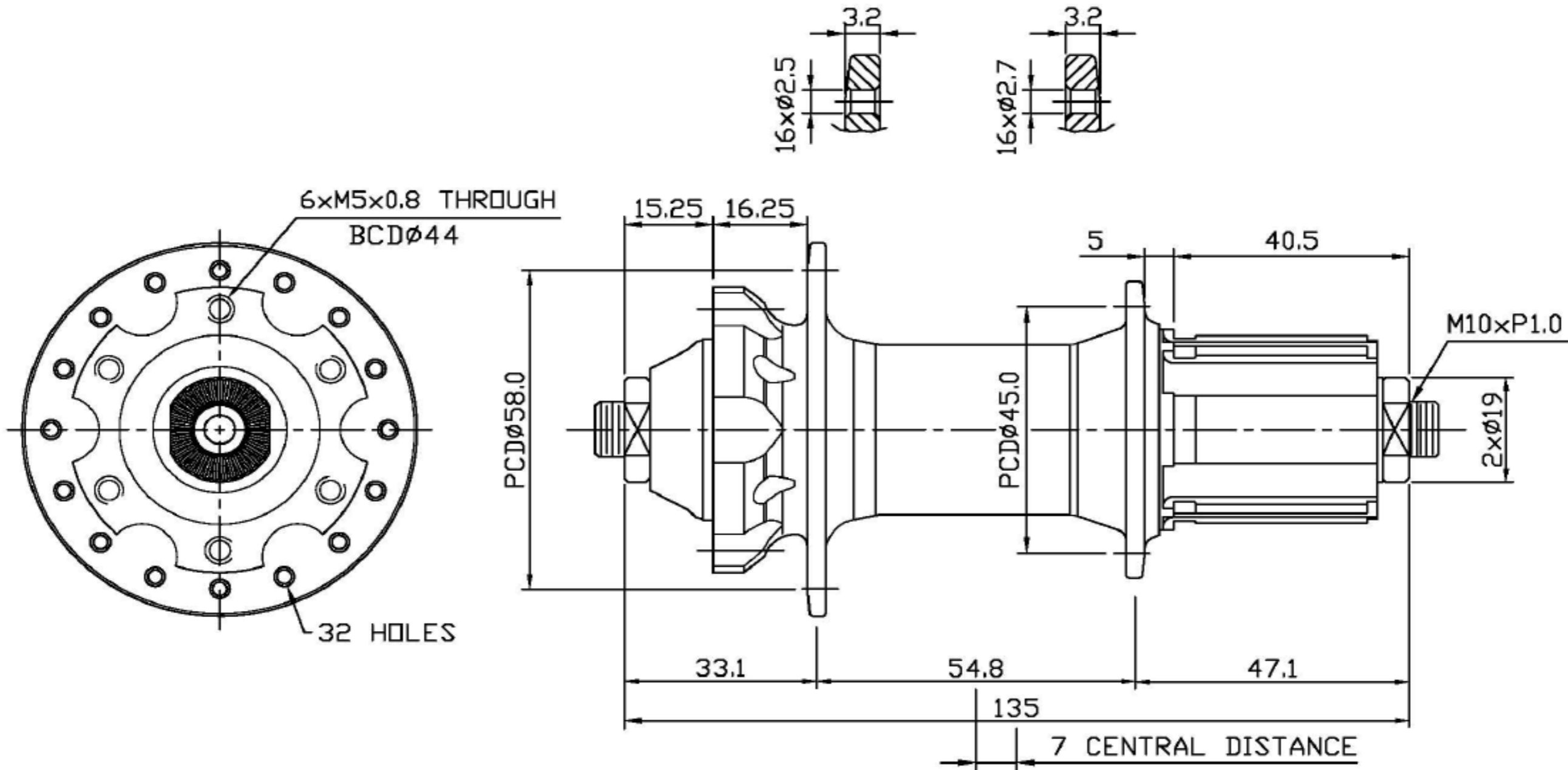


1 2 3 4 5 6 7 8 9 10

REVISION	REVISION RECORD
A	RELEASE FOR MY11



- NOTES:**
1. SRAM RESERVE THE RIGHT CHANGE SPECIFICATIONS WITHOUT PRIOR NOTICE.
 2. FOR ASSEMBLY PROCEDURE AND MAINTENANCE PLEASE REFER TO SRAM'S OEM TECH MANUAL.

DESIGNED BY: JOEY CHEN	SHEET: 1 / 1
SRAM [®]	
Confidential - This drawing contains information that is proprietary to SRAM Corporation and may not be disclosed without permission.	
DRAWING NAME / DESCRIPTION	
USER SPEC, HUB MTH 406R/ 506R	
DRAWING NUMBER	REVISION
98-2015-007-000	A

1 2 3 4 5 6 7 8 9 10