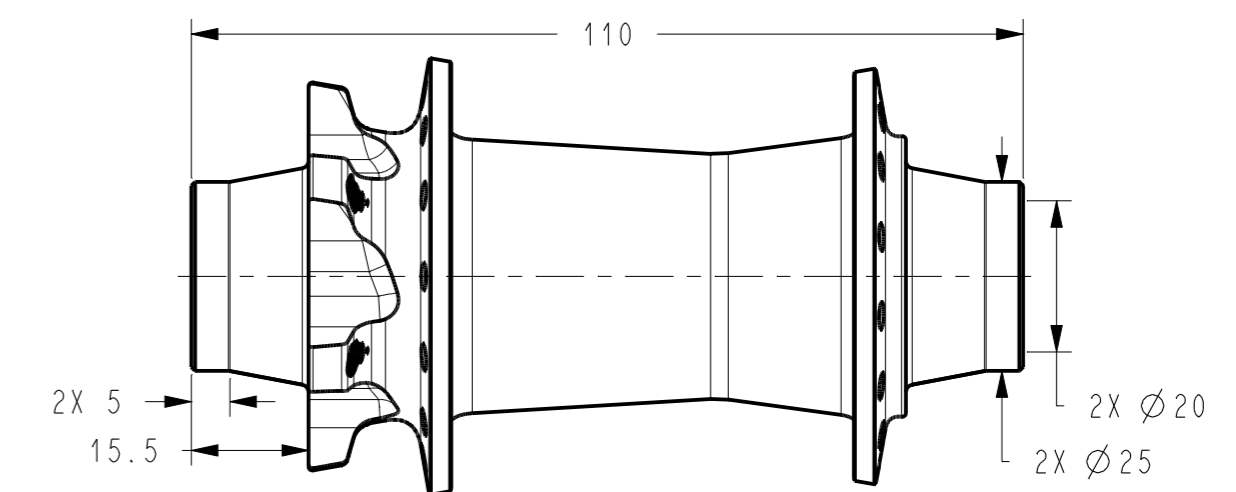
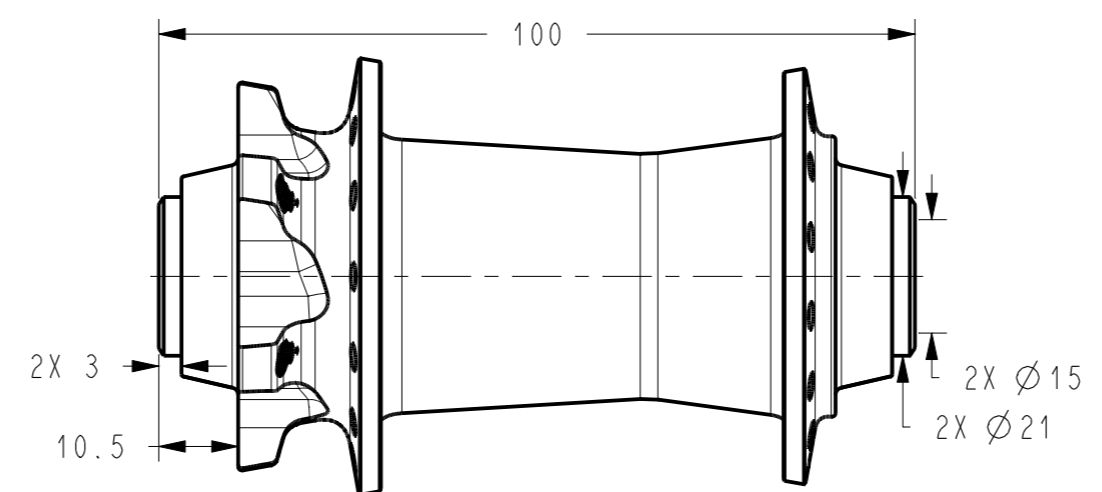
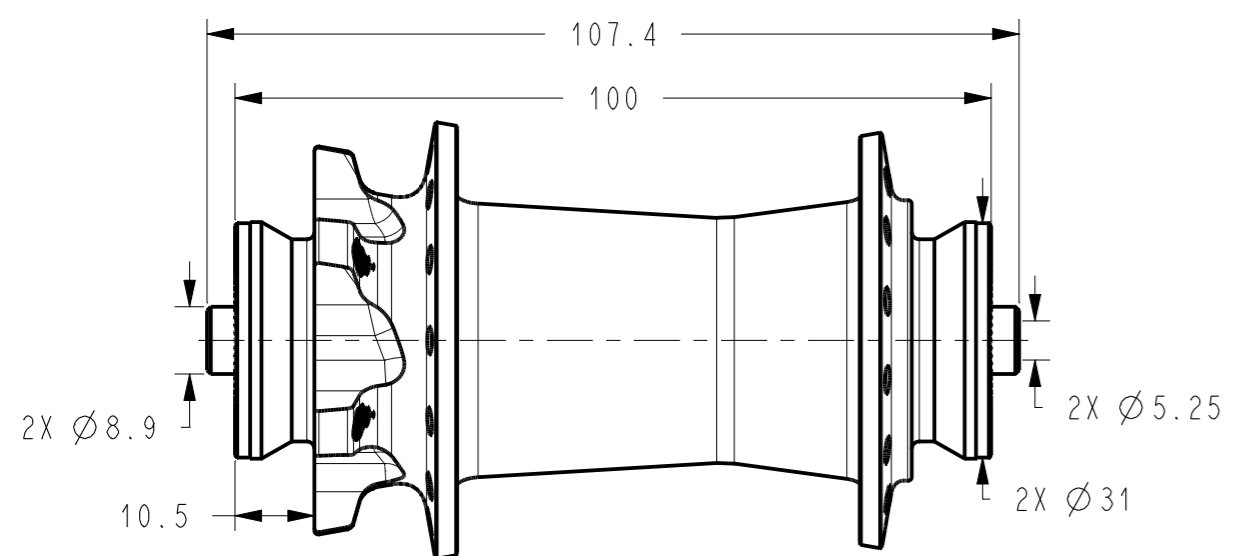
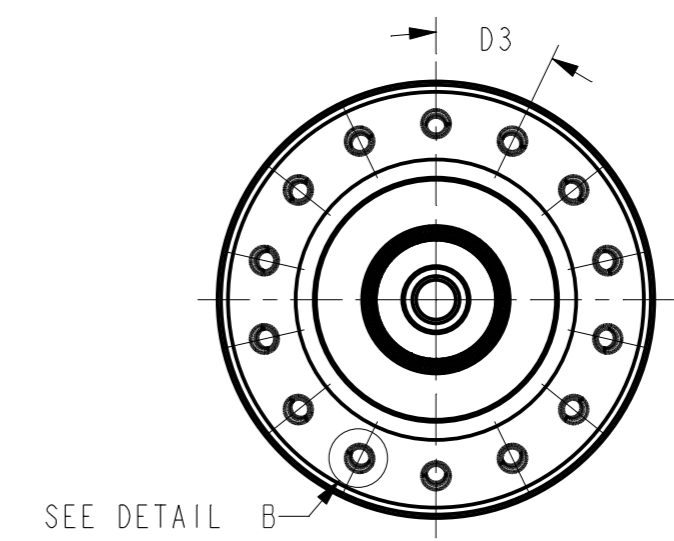
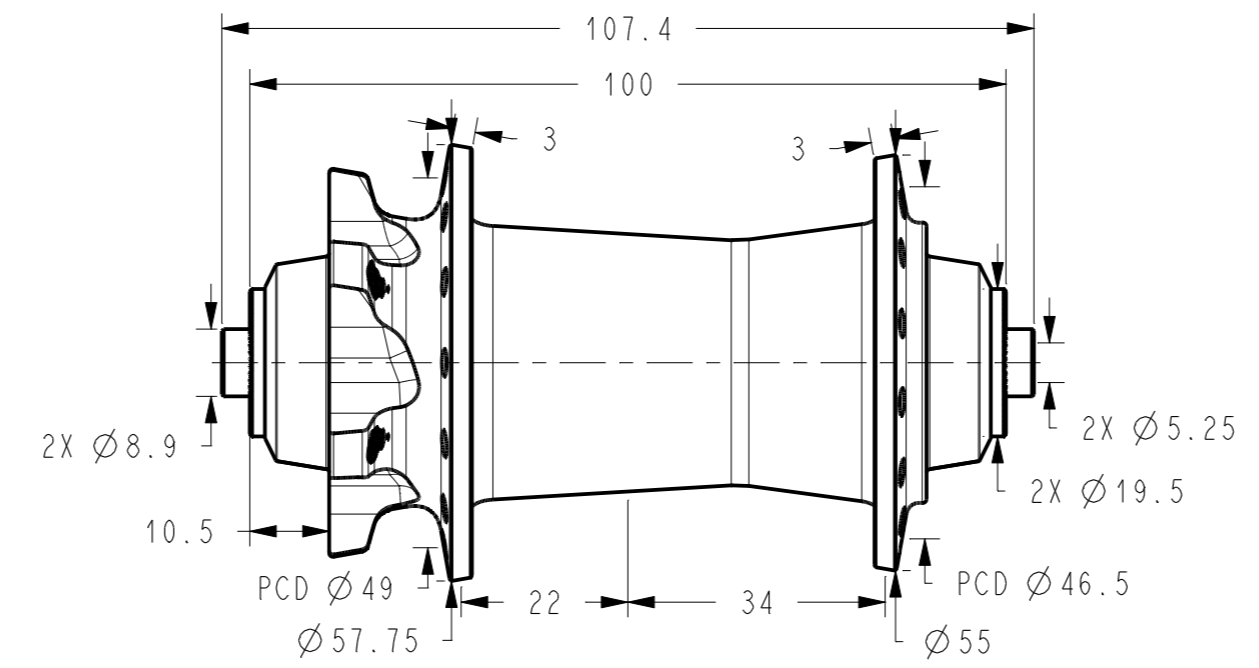
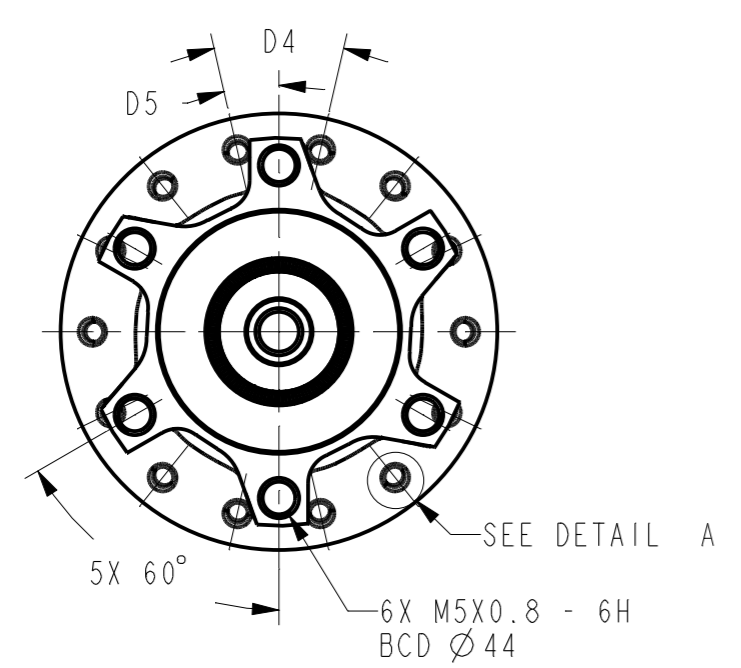


REV	REVISION RECORD
A	ECN 322849 RELEASE



DETAIL A SCALE 2:1
DETAIL B SCALE 2:1



NUMBER	DESCRIPTION	D1	D2	D3	D4	D5
00.2018.002.000	HUB X0 F 32 9X100S W/OR BLK / RED	16	16	22.5°	22.5°	11.25°
00.2018.002.001	HUB X0 F 32 9X100R W/OR BLK / RED	16	16	22.5°	22.5°	11.25°
00.2018.002.002	HUB X0 F 32 15X100 W/OUT AXL BLK / RED	16	16	22.5°	22.5°	11.25°
00.2018.002.003	HUB X0 F 32 20X110 W/OUT AXL BLK / RED	16	16	22.5°	22.5°	11.25°
00.2018.002.006	HUB X0 F 32 9X100S W/OR BLK / SILV	16	16	22.5°	22.5°	11.25°
00.2018.002.007	HUB X0 F 32 9X100R W/OR BLK / SILV	16	16	22.5°	22.5°	11.25°
00.2018.002.008	HUB X0 F 32 15X100 W/OUT AXL BLK / SILV	16	16	22.5°	22.5°	11.25°
00.2018.002.009	HUB X0 F 32 20X110 W/OUT AXL BLK / SILV	16	16	22.5°	22.5°	11.25°
00.2018.002.012	HUB X0 F 28 9X100S W/OR BLK / RED	14	14	25.7°	25.7°	12.9°
00.2018.002.013	HUB X0 F 28 9X100R W/OR BLK / RED	14	14	25.7°	25.7°	12.9°
00.2018.002.014	HUB X0 F 28 15X100 W/OUT AXL BLK / RED	14	14	25.7°	25.7°	12.9°
00.2018.002.017	HUB X0 F 28 9X100S W/OR BLK / SILV	14	14	25.7°	25.7°	12.9°
00.2018.002.018	HUB X0 F 28 9X100R W/OR BLK / SILV	14	14	25.7°	25.7°	12.9°
00.2018.002.019	HUB X0 F 28 15X100 W/OUT AXL BLK / SILV	14	14	25.7°	25.7°	12.9°

NOTES (UNLESS OTHERWISE SPECIFIED):

- 1 SRAM RESERVES THE RIGHT TO CHANGE SPECIFICATIONS WITHOUT PRIOR NOTICE
2. DRAWING NOT TO SCALE, GENERAL SHAPE FOR DIMENSIONAL REFERENCE ONLY
3. CUSTOMER RESPONSIBLE FOR ENSURING HUB, FRAME & FORK COMPATIBILITY

ALL DIMENSIONS ARE mm
THIRD ANGLE PROJECTION
MASS (g)
MATERIAL

GEOMETRIC DIMENSIONING AND TOLERANCING TO BE INTERPRETED PER ANSI Y14.5M 1994.
• INDICATES THE DIMENSION IS CRITICAL TO THE FORM, FIT OR FUNCTION OF THE PART OR PRODUCT.
UNTOLERANCED LENGTH DIMENSIONS (mm)
LENGTH DIMENSIONS TOLERANCE
from 0.5 up to 6 ± 0.1
over 6 up to 30 ± 0.2
over 30 up to 120 ± 0.3
over 120 up to 400 ± 0.5
UNTOLERANCED ANGLE DIMENSIONS ± 5

DESIGNED BY: LWEALING	FORMAT: A2	SCALE: 1:1	SHEET: 1 / 1
LIFECYCLE STATUS	Released		
DRAWING NAME / DESCRIPTION			
USER SPEC XO HUB FRONT			
DRAWING NUMBER			VERSION
98-1915-004-000			A.2

CONFIDENTIAL - THIS DRAWING CONTAINS INFORMATION THAT IS PROPRIETARY TO SRAM CORPORATION AND MAY NOT BE DISCLOSED WITHOUT PERMISSION.