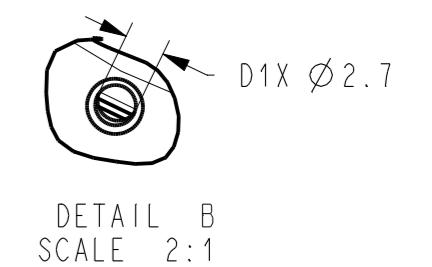
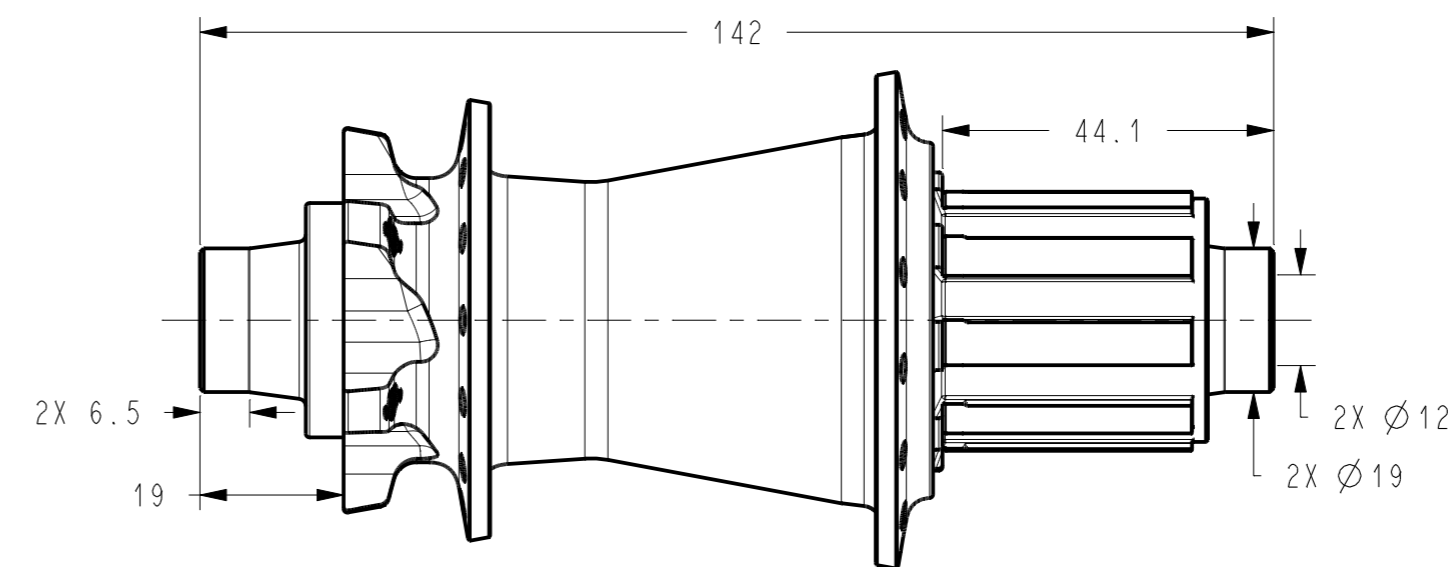
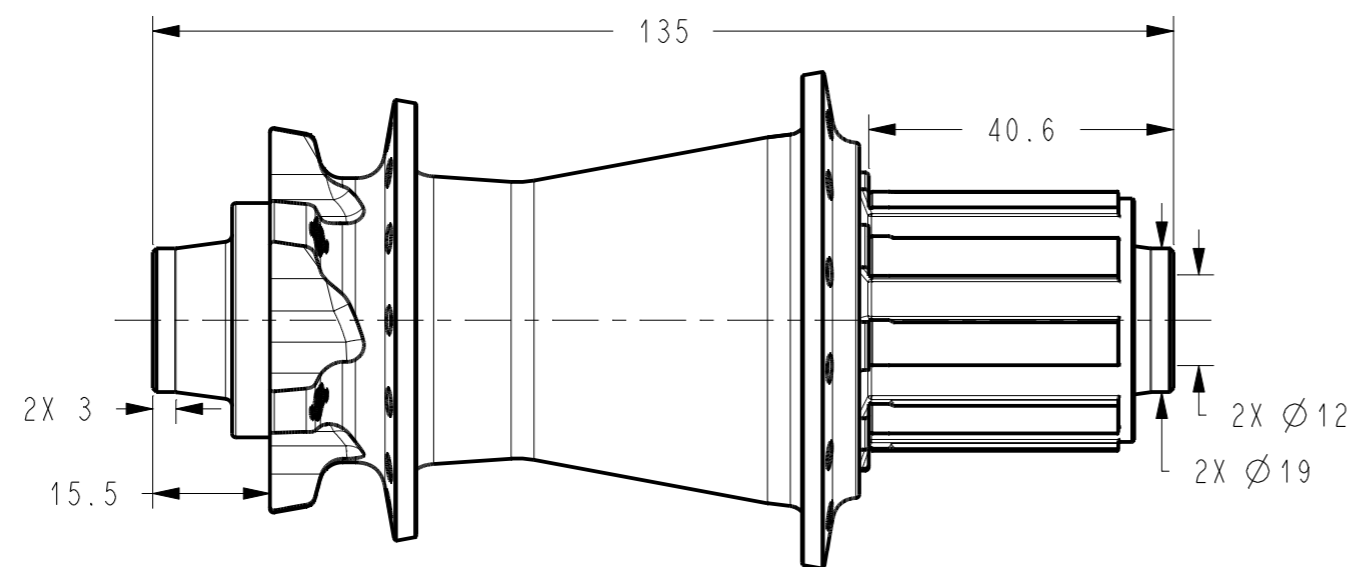
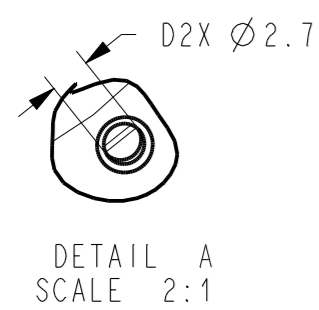
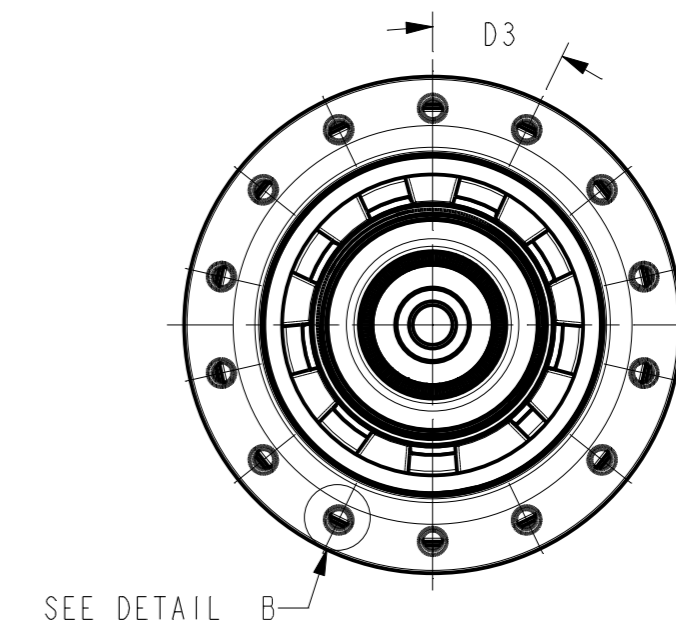
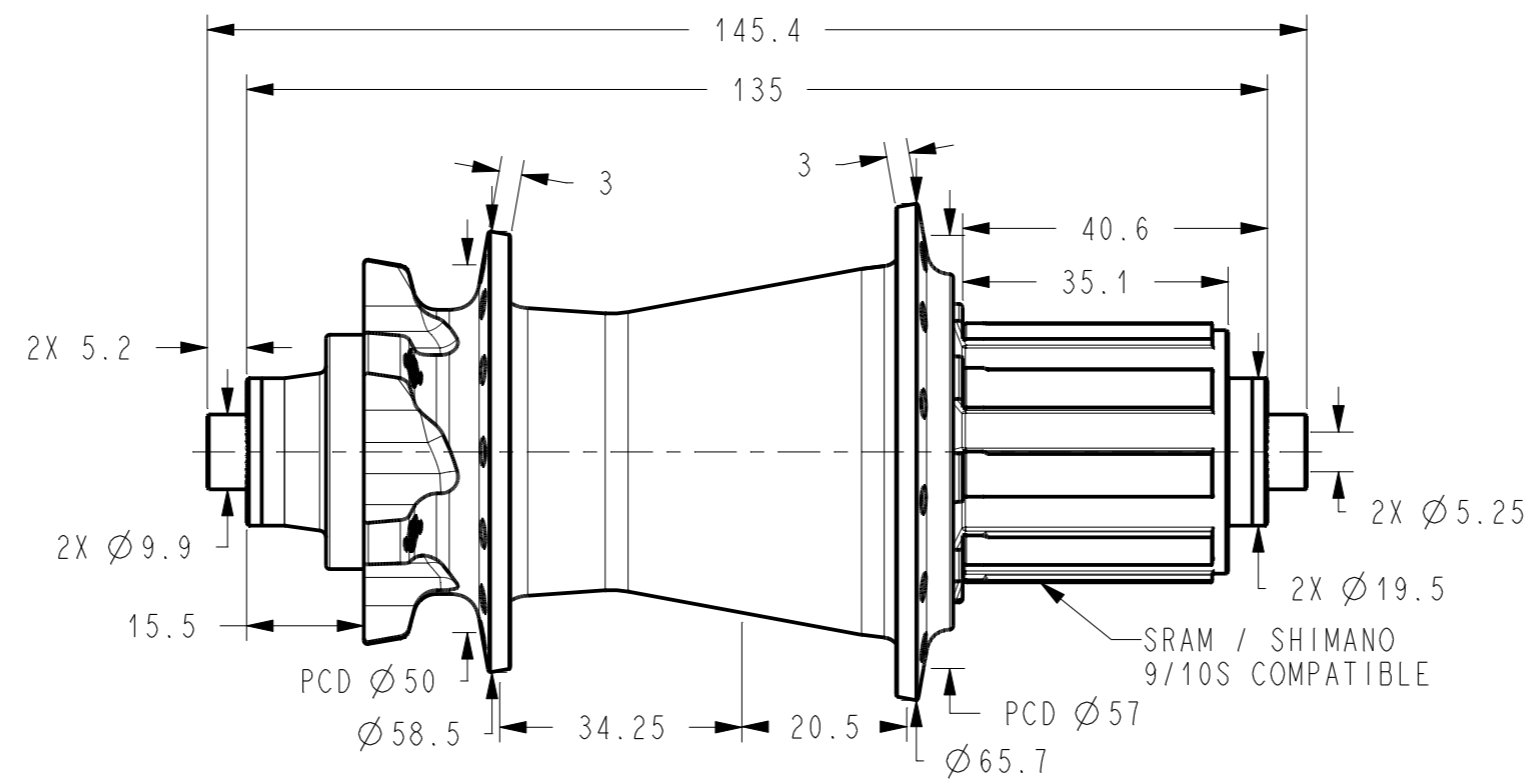
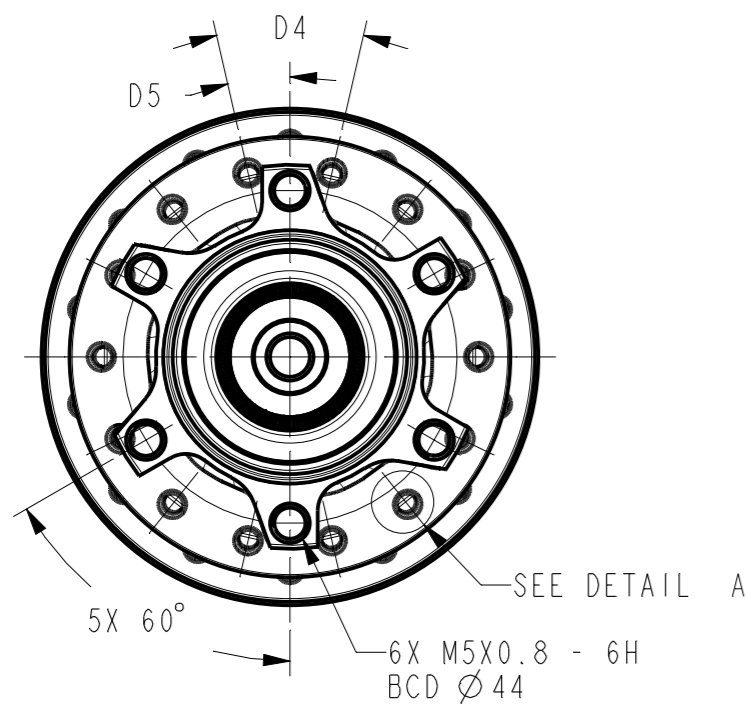


REV	REVISION RECORD
A	ECN 322849 RELEASE



NUMBER	DESCRIPTION	D1	D2	D3	D4	D5
00.2018.002.004	HUB X0 R 32 10X135 W/OR BLK / RED	16	16	22.5°	22.5°	11.25°
00.2018.002.005	HUB X0 R 32 12X142 W/OUT AXL BLK / RED	16	16	22.5°	22.5°	11.25°
00.2018.002.010	HUB X0 R 32 10X135 W/OR BLK / SILV	16	16	22.5°	22.5°	11.25°
00.2018.002.011	HUB X0 R 32 12X142 W/OUT AXL BLK / SILV	16	16	22.5°	22.5°	11.25°
00.2018.002.015	HUB X0 R 28 10X135 W/OR BLK / RED	14	14	25.7°	25.7°	12.9°
00.2018.002.016	HUB X0 R 28 12X142 W/OUT AXL BLK / RED	14	14	25.7°	25.7°	12.9°
00.2018.002.020	HUB X0 R 28 10X135 W/OR BLK / SILV	14	14	25.7°	25.7°	12.9°
00.2018.002.021	HUB X0 R 28 12X142 W/OUT AXL BLK / SILV	14	14	25.7°	25.7°	12.9°

NOTES (UNLESS OTHERWISE SPECIFIED):

- 1 SRAM RESERVES THE RIGHT TO CHANGE SPECIFICATIONS WITHOUT PRIOR NOTICE
2. DRAWING NOT TO SCALE, GENERAL SHAPE FOR DIMENSIONAL REFERENCE ONLY
3. CUSTOMER RESPONSIBLE FOR ENSURING HUB, FRAME & FORK COMPATIBILITY

ALL DIMENSIONS ARE mm	GEOMETRIC DIMENSIONING AND TOLERANCING TO BE INTERPRETED PER ANSI Y14.5M 1994
THIRD ANGLE PROJECTION	• INDICATES THE DIMENSION IS CRITICAL TO THE FORM, FIT OR FUNCTION OF THE PART OR PRODUCT
MASS (g)	UNTOLERANCED LENGTH DIMENSIONS (mm)
MATERIAL	LENGTH DIMENSIONS TOLERANCE
	from 0.5 up to 6 ± 0.1
	over 6 up to 30 ± 0.2
	over 30 up to 120 ± 0.3
	over 120 up to 400 ± 0.5
	UNTOLERANCED ANGLE DIMENSIONS ± 5°

DESIGNED BY: LWEALING	FORMAT: A2	SCALE: 1:1	SHEET: 1 / 1
LIFECYCLE STATUS	 CONFIDENTIAL - THIS DRAWING CONTAINS INFORMATION THAT IS PROPRIETARY TO SRAM CORPORATION AND MAY NOT BE DISCLOSED WITHOUT PERMISSION.		
Released	DRAWING NAME / DESCRIPTION		
	USER SPEC XO HUB REAR		
DRAWING NUMBER	98-1915-005-000	VERSION	A.5