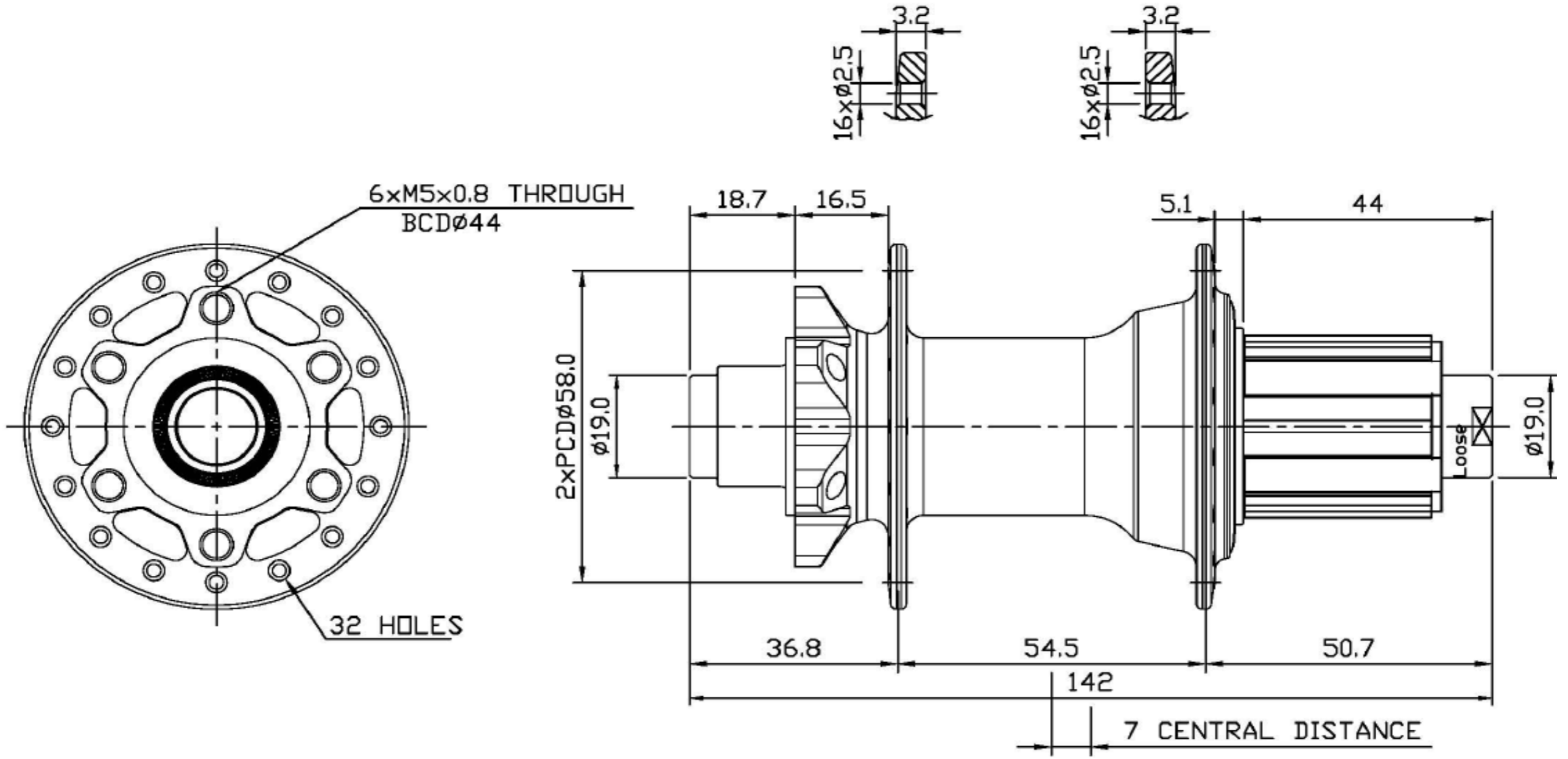


REVISION	REVISION RECORD
A	RELEASE FOR MY11



- NOTES:**
1. SRAM RESERVE THE RIGHT CHANGE SPECIFICATIONS WITHOUT PRIOR NOTICE.
  2. FOR ASSEMBLY PROCEDURE AND MAINTENANCE PLEASE REFER TO SRAM'S OEM TECH MANUAL.

DESIGNED BY: JOEY CHEN	SHEET: 1 / 1
<b>SRAM</b> <sup>®</sup>	
Confidential - This drawing contains information that is proprietary to SRAM Corporation and may not be disclosed without permission.	
DRAWING NAME / DESCRIPTION	
USER SPEC, HUB X-9 R 12*142	
DRAWING NUMBER	REVISION
98-2015-012-000	A