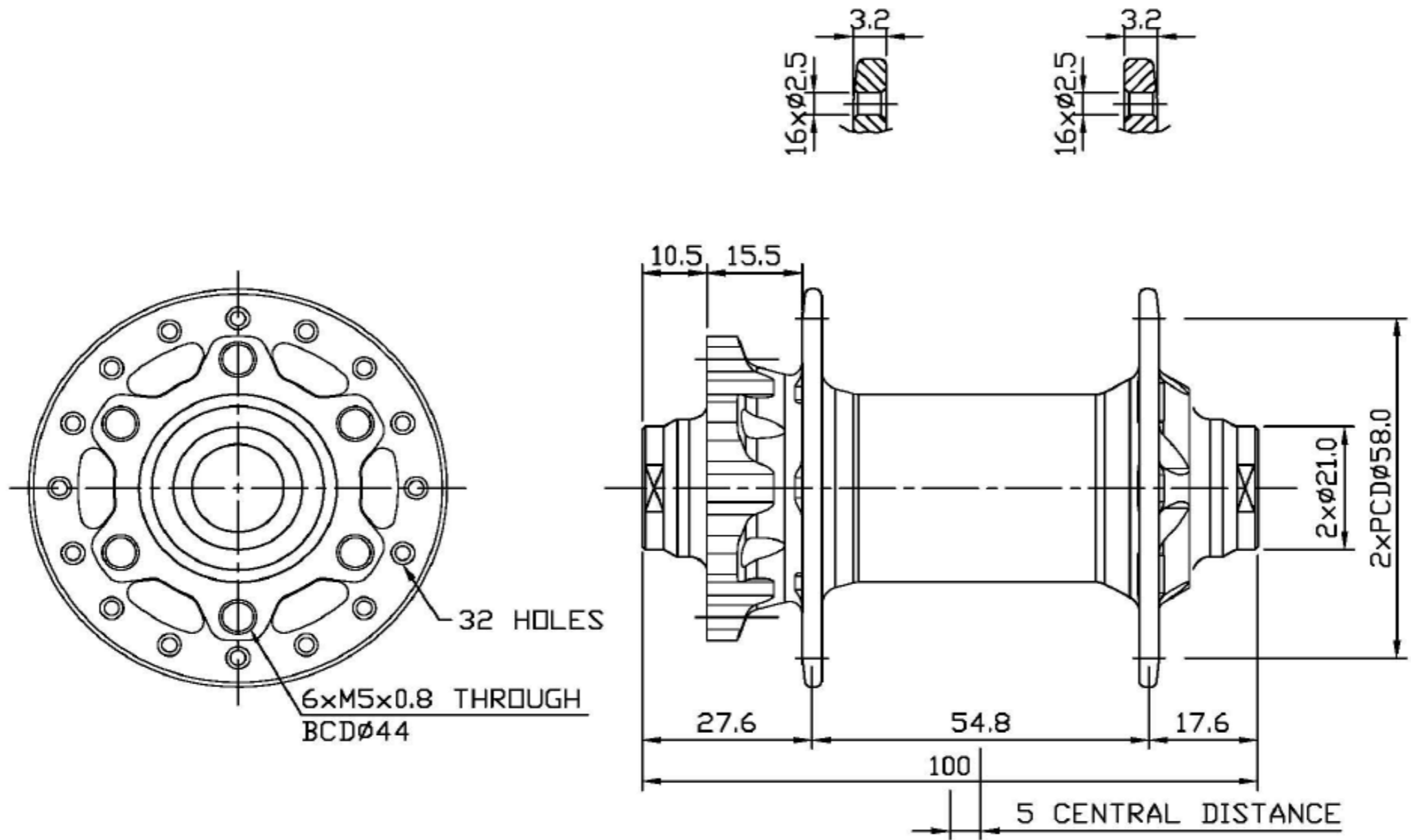


REVISION	REVISION RECORD
A	RELEASE FOR MY11



- NOTES:**
1. SRAM RESERVE THE RIGHT CHANGE SPECIFICATIONS WITHOUT PRIOR NOTICE.
 2. FOR ASSEMBLY PROCEDURE AND MAINTENANCE PLEASE REFER TO SRAM'S OEM TECH MANUAL.

DESIGNED BY: JOEY CHEN	SHEET: 1 / 1
SRAM [®]	
Confidential - This drawing contains information that is proprietary to SRAM Corporation and may not be disclosed without permission.	
DRAWING NAME / DESCRIPTION	
USER SPEC, HUB X-9 F 15*100	
DRAWING NUMBER	REVISION
98-2015-011-000	A