

1 2 3 4 5 6 7 8 9 10

REV	REVISION RECORD
A	ECN 317230 RELEASE

A A

B B

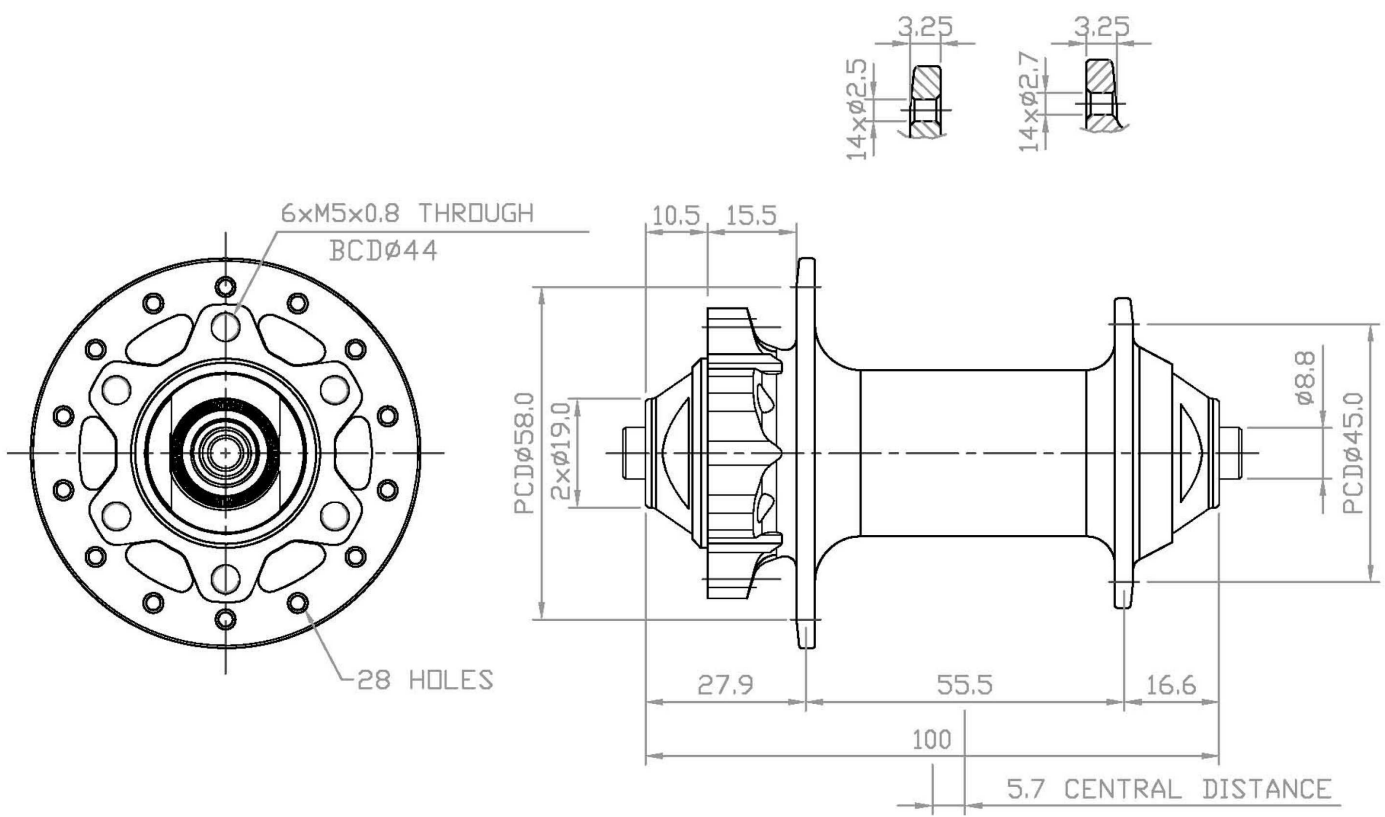
C C

D D

E E

F F

G G



NOTES (UNLESS OTHERWISE SPECIFIED):  
 1. SRAM RESERVES THE RIGHT TO CHANGE SPECIFICATIONS WITHOUT PRIOR NOTICE  
 2. FOR ASSEMBLY PROCEDURE AND MAINTENANCE PLEASE REFER TO SRAM OEM TECH MANUAL  
 3. DRAWING NOT TO SCALE, GENERAL SHAPE FOR DIMENSIONAL REFERENCE ONLY

DESIGNED BY: LWEALING	
FORMAT: A3	SCALE: 1:1 SHEET: 1 / 1
LIFECYCLE STATUS In Work	<b>SRAM</b> CONFIDENTIAL - THIS DRAWING CONTAINS INFORMATION THAT IS PROPRIETARY TO SRAM CORPORATION AND MAY NOT BE DISCLOSED WITHOUT PERMISSION.
DRAWING NAME / DESCRIPTION USER SPEC HUB 12 X-9 F 28	
DRAWING NUMBER 98-2015-014-010	
VERSION A.1	

ALL DIMENSIONS ARE mm	
THIRD ANGLE PROJECTION	
MASS (g)	
MATERIAL	

GEOMETRIC DIMENSIONING AND TOLERANCING TO BE INTERPRETED PER ANSI Y14.5M 1994.	
* INDICATES THE DIMENSION IS CRITICAL TO THE FORM, FIT OR FUNCTION OF THE PART OR PRODUCT	
UNTOLERANCED LENGTH DIMENSIONS (mm)	TOLERANCE
LENGTH DIMENSIONS	
from 0.5 up to 6	± 0.1
over 6 up to 30	± 0.2
over 30 up to 120	± 0.3
over 120 up to 400	± 0.5
UNTOLERANCED ANGLE DIMENSIONS	± 5

1 2 3 4 5 6 7 8 9 10